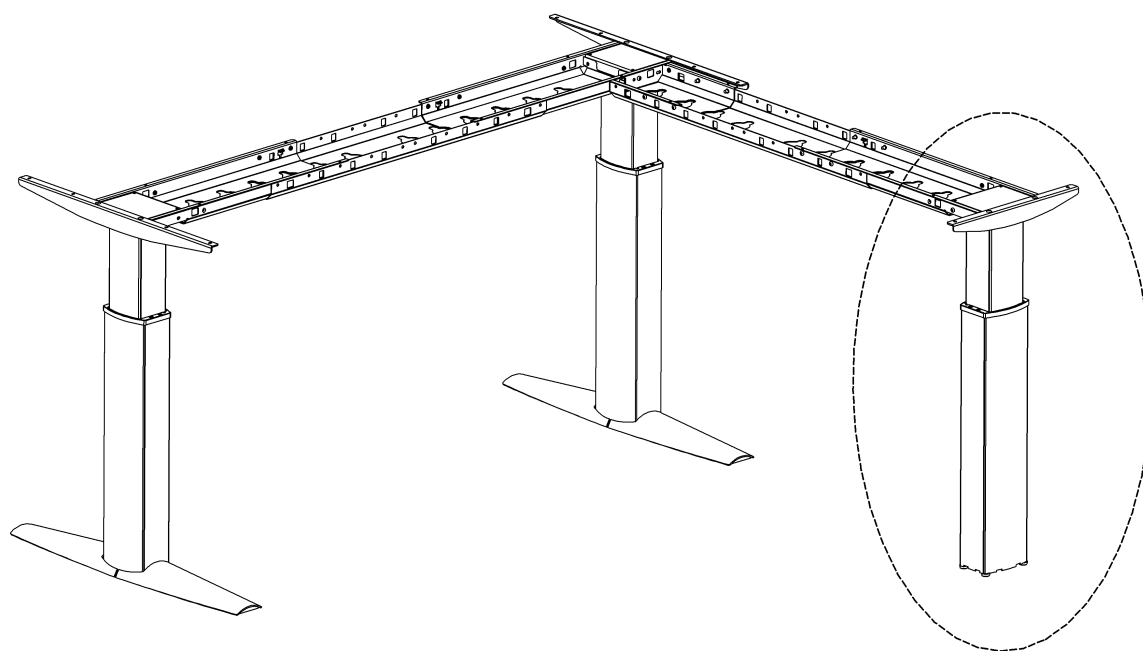


# 501-23

Original

352480.0

EN - Assembly Instruction and User Manual (Page 2)



# 1. Parts

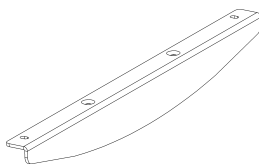
EN

Ⓐ Lifting column



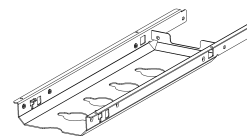
x1

Ⓑ Tabletop support



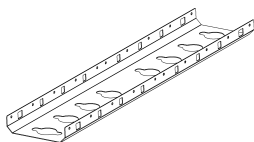
x1

Ⓒ Travers end section



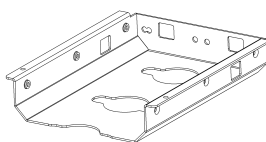
x1

Ⓓ Travers middle section



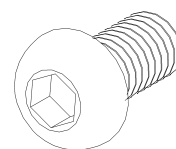
x1

Ⓔ Travers small end section



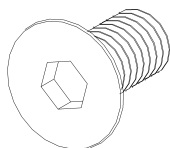
x1

Ⓕ Screw M6x12mm



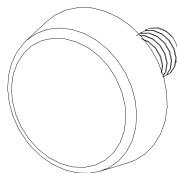
x16

Ⓖ Screw M6x12mm



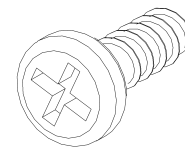
x2

Ⓗ Adjustable glide



x4

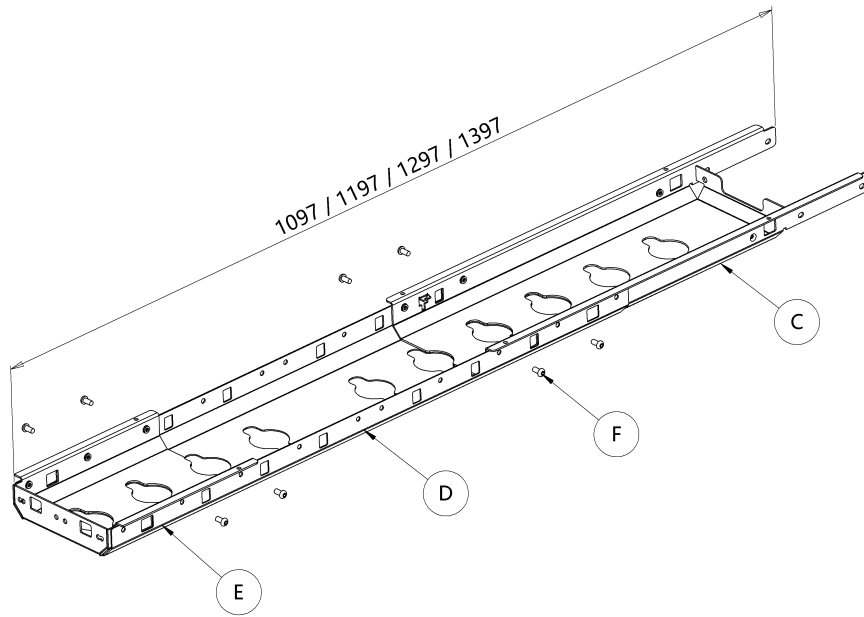
Ⓖ Wooden screw 5x16mm



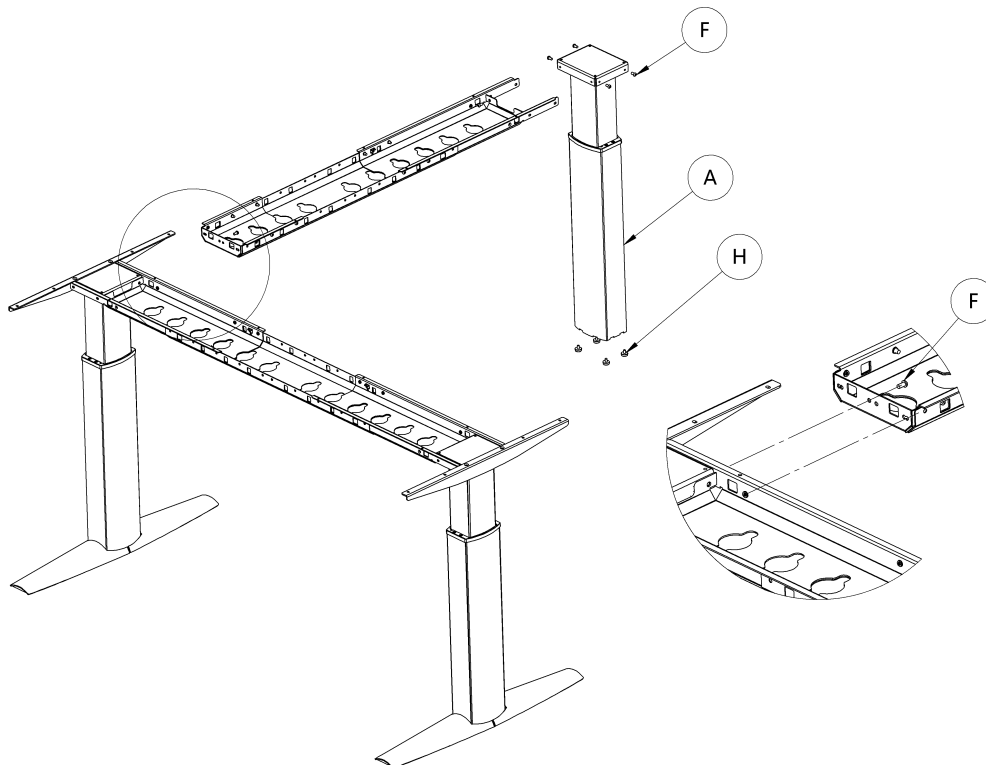
x8

## 2. Assembly Instruction and User Manual

### 1 Travers assembly

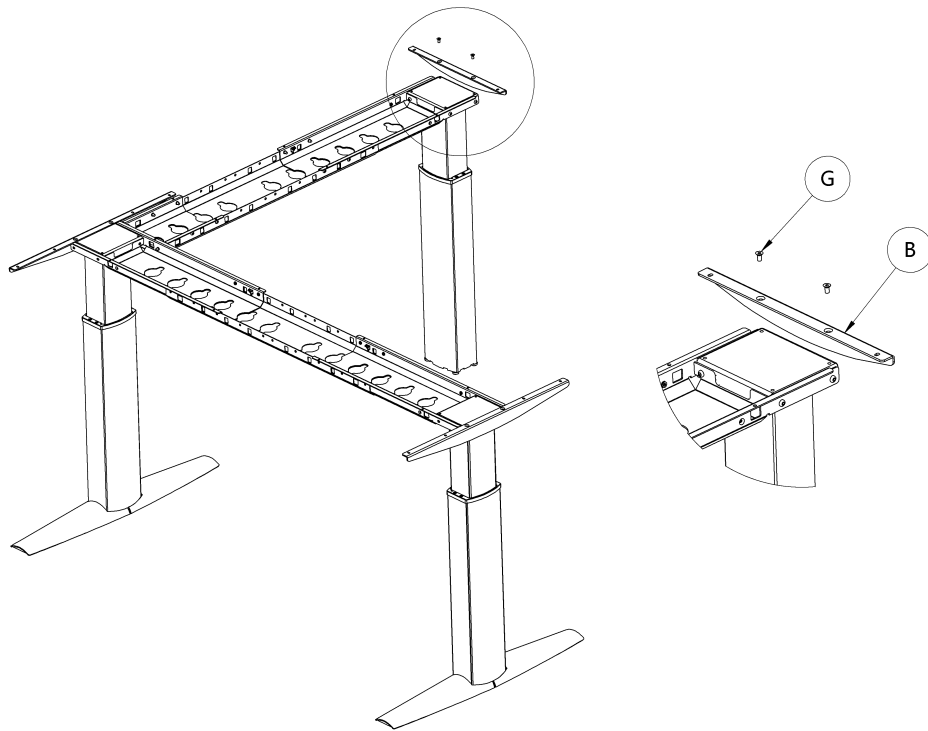


### 2 Column to travers

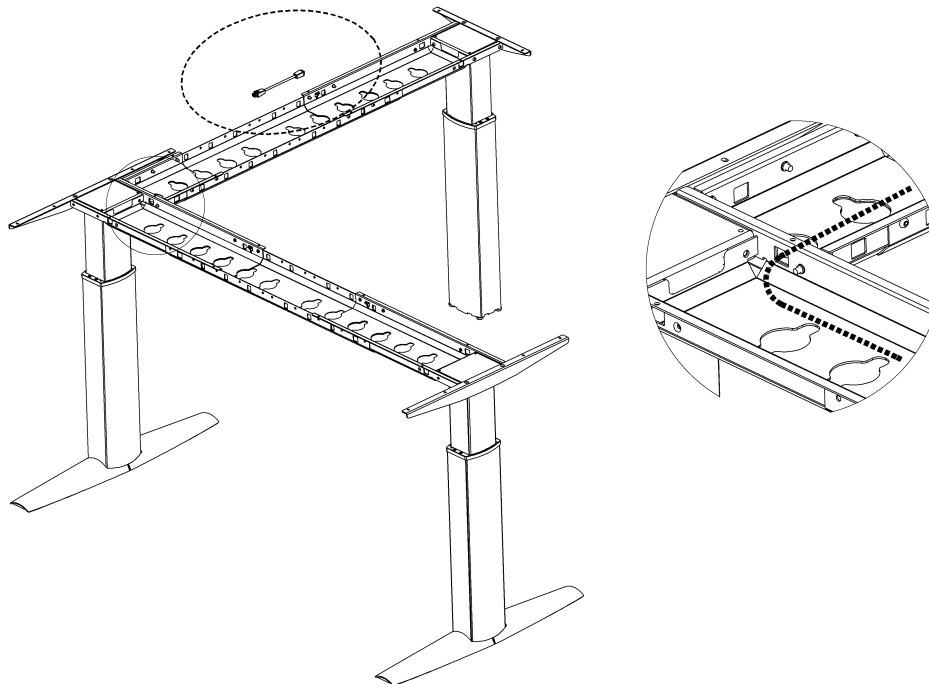


It is important to tighten all screws to get best possible stability.

### 3 Top bracket assy



### 4 Wiring



! See also user manual packed along the Power and Control components.