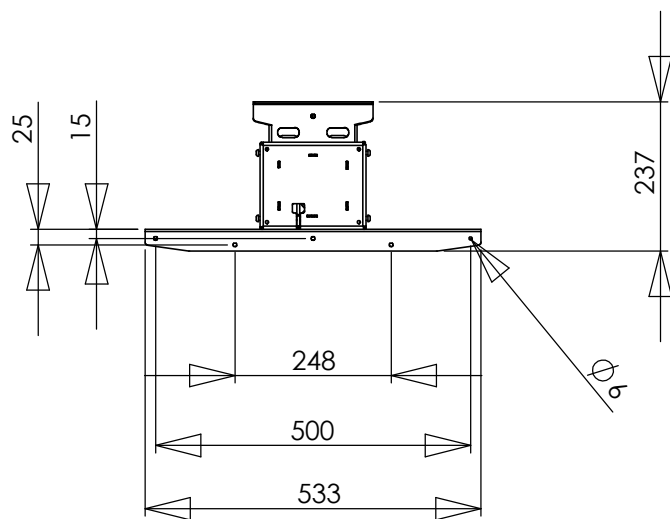
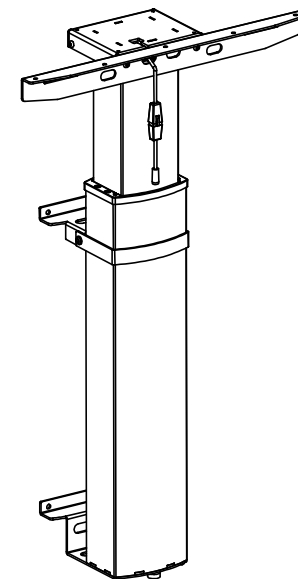
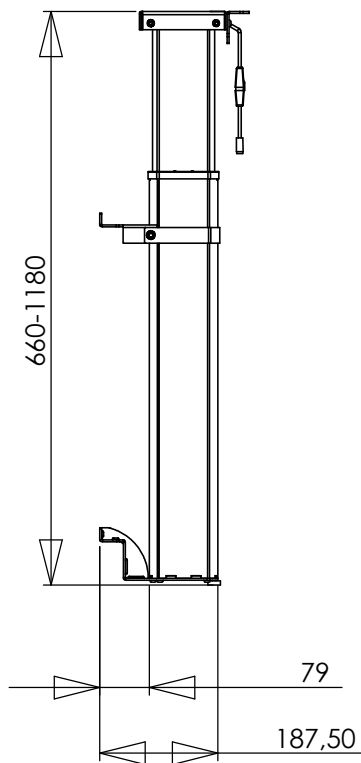
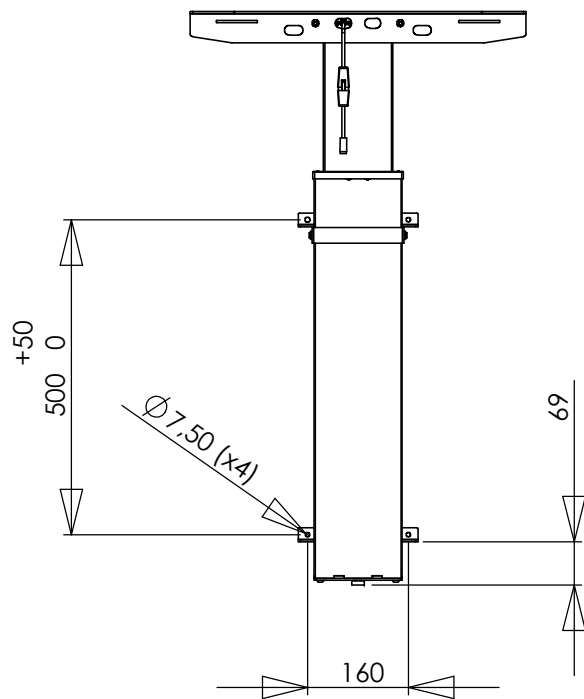


DO NOT SCALE DRAWING	SHEET 1 OF 2			ConSet A/S	Staalvej 14-16 DK-6900 Skjern Denmark
UNLESS OTHERWISE SPECIFIED: DIMENSIONS ARE IN MILLIMETERS TOLERANCES: LINEAR: According to ANGULAR: DIN 7168-m	DRAWN	NAME jo	DATE 28-10-09	TITLE: 501-19/23 Wall mounted	
	CHECKED	Processes: assembly		DWG NO. 110610	REVISION 4
PROPRIETARY AND CONFIDENTIAL THE INFORMATION CONTAINED IN THIS DRAWING IS THE SOLE PROPERTY OF CONSET A/S. ANY REPRODUCTION IN PART OR AS A WHOLE WITHOUT THE WRITTEN PERMISSION OF CONSET A/S IS PROHIBITED.			WEIGHT:		



DO NOT SCALE DRAWING	SHEET 2 OF 2			ConSet A/S Staalvej 14-16 DK-6900 Skjern Denmark
UNLESS OTHERWISE SPECIFIED: DIMENSIONS ARE IN MILLIMETERS TOLERANCES: LINEAR: According to ANGULAR: DIN 7168-m	DRAWN	NAME jo	DATE 28-10-09	TITLE:
	CHECKED	Processes: assembly		501-19/23 Wall mounted
PROPRIETARY AND CONFIDENTIAL THE INFORMATION CONTAINED IN THIS DRAWING IS THE SOLE PROPERTY OF CONSET A/S. ANY REPRODUCTION IN PART OR AS A WHOLE WITHOUT THE WRITTEN PERMISSION OF CONSET A/S IS PROHIBITED.	WEIGHT:		DWG NO.	110610 REVISION 4